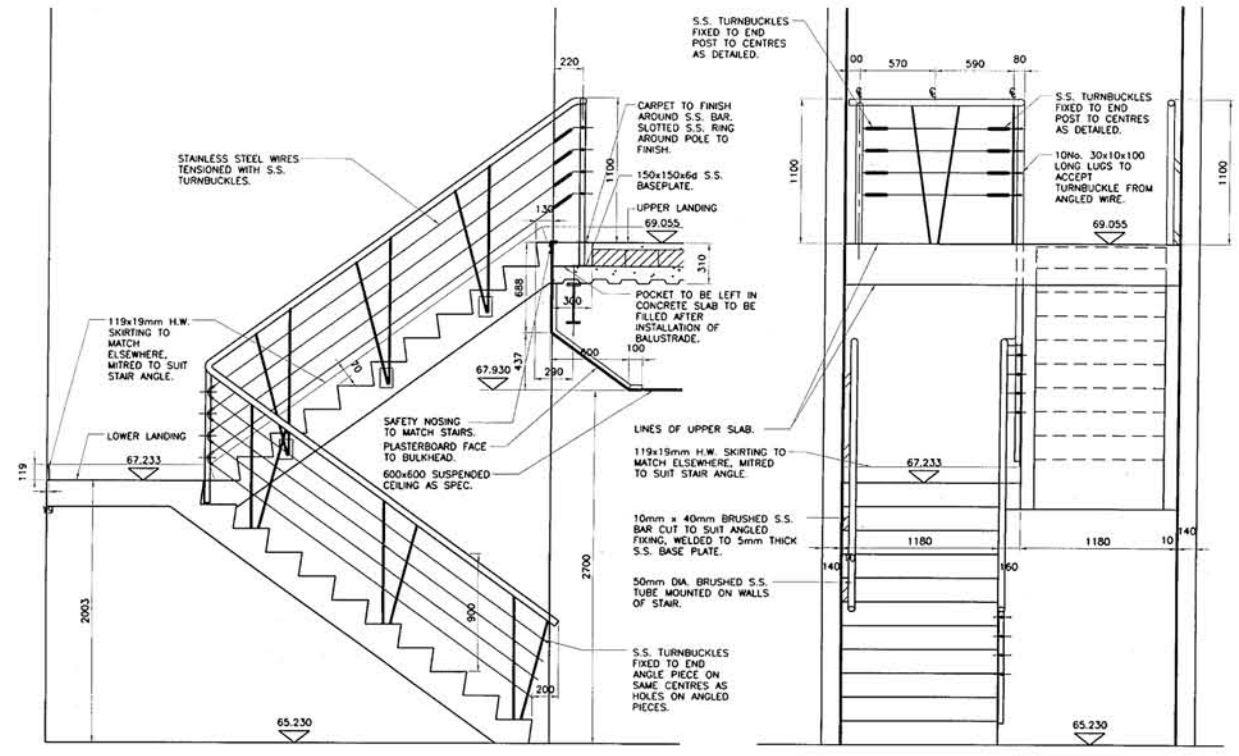
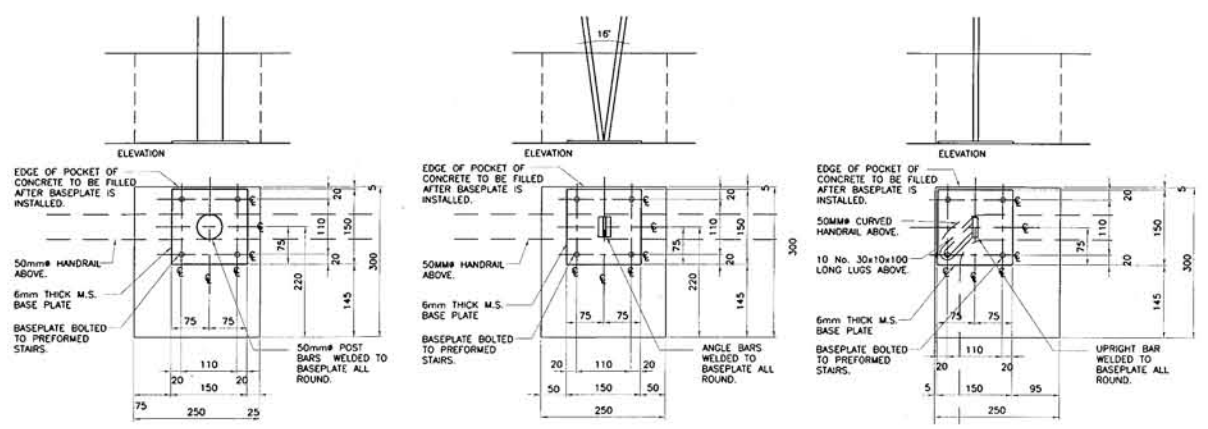


Parkway North Business Park



SIDE ELEVATION - STAIR BALUSTRADE
1:20

FRONT ELEVATION - STAIR & LANDING BALUSTRADE
1:20



DETAIL PLAN - BALCONY BASEPLATE
1:5

DETAIL PLAN - BALCONY BASEPLATE
1:5

DETAIL PLAN - BALCONY BASEPLATE
1:5

